

I2S Slave Input Output

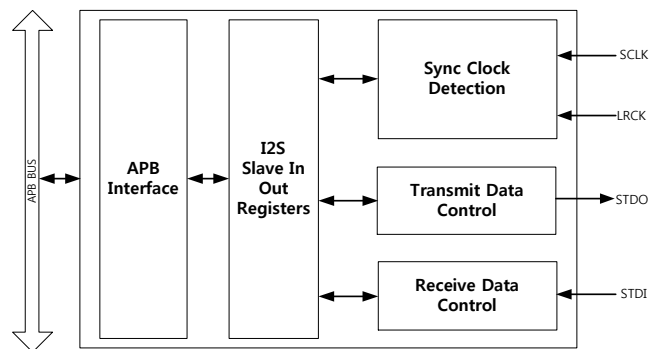
I2S Slave Input Controller Intellectual Property (IP).

Description

The Audio interface module allows to receive and transmit digital audio over serial audio interfaces (IIS/EIAJ) and over digital audio interfaces (IEC958) This IP equipped serial audio interfaces compliant with Philips IIS and Sony EIAJ format. A Frequency measurement block exists to allow precise measurement of an incoming sampling frequency.

Features

- I2S format, MSB-justified format, LSB-justified compatible
- Each FIFOs(32~2048*16bit) for transmit and receive
- Fully interrupt based operation
- Auto Sync detection by hardware
- Optional AHB,APB and custom bus interfaces



Application area	: I2S Slave Input Output Interface
Available documents	: Data Book, Sample program code written by C
Design file formats	: EDIF File Format , VHDL/Verilog Code
Verification	: Verilog Testbench
Simulation tool used	: Model Technology ModelSim™ 6.4