

# I2S Slave Input

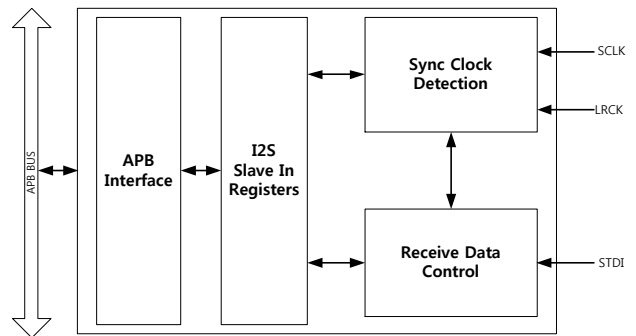
I2S Slave Input Controller Intellectual Property (IP).

## Description

The Audio interface module allows to receive and transmit digital audio over serial audio interfaces (IIS/EIAJ) and over digital audio interfaces (IEC958) This IP equipped serial audio interfaces compliant with Philips IIS and Sony EIAJ format. A Frequency measurement block exists to allow precise measurement of an incoming sampling frequency.

## Features

- I2S format, MSB-justified format, LSB-justified compatible
- FIFOs(32~2048\*16bit) for receive
- Fully interrupt based operation
- Auto Sync detection by hardware
- Optional AHB,APB and custom bus interfaces



<b>Application area</b>	: I2S Slave Input only Interface
<b>Available documents</b>	: Data Book, Sample program code written by C
<b>Design file formats</b>	: EDIF File Format , VHDL/Verilog Code
<b>Verification</b>	: Verilog Testbench
<b>Simulation tool used</b>	: Model Technology ModelSim™ 6.4