

# SDIO Slave

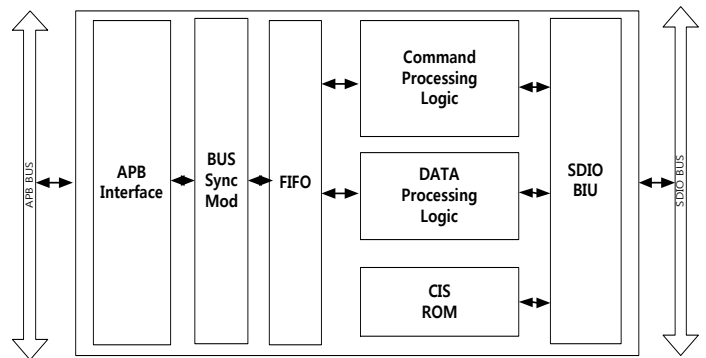
SDIO Slave controller Intellectual Property (IP).

## Description

The SDIO Device is designed for an easy integration with any card controller and any host system bus. A compact size and low power SDIO device core which provides a simple interface, high performance data transfer.

## Features

- 1 / 4-bit data transfer mode compatible with standard(SDIO Spec 2.0)
- Support multi block data transfer
- Support all SDIO command and response types
- Embedded CRC7, CRC16 logic
- Support SDIO Clock suspension
- Support hot card insertion and removal
- Embedded card information structure(CIS) ROM
- Support Plug and Play(PnP)
- Fully interrupt base operation
- Optional AHB,APB and custom bus interfaces



<b>Application area</b>	: SDIO Slave(Device) Interface
<b>Available documents</b>	: Data Book, Sample program code written by C
<b>Design file formats</b>	: EDIF File Format , VHDL/Verilog Code
<b>Verification</b>	: Verilog Testbench
<b>Simulation tool used</b>	: Model Technology ModelSim™ 6.4