

# RTC

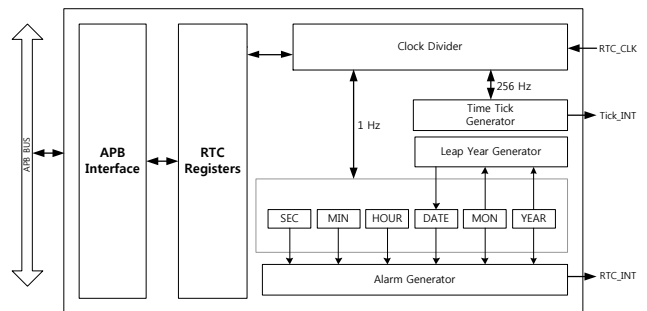
## RTC controller Intellectual Property (IP).

### Description

The Real Time Clock (RTC) unit can be operated by the backup battery while the system power is off. The RTC can transmit to CPU as Binary Coded Decimal (BCD) values. The data include the time by second, minute, hour, date, day, month, and year. The RTC unit works with an external 32.768kHz crystal and also can perform the alarm function.

### Features

- BCD number: second, minute, hour, date, month, and year
- Leap year generator
- Alarm function: alarms interrupt.
- Year 2000 problem is removed
- Supports millisecond tick time interrupt for RTOS kernel time tick.
- Optional AHB, APB and custom bus interfaces



<b>Application area</b>	: RTC / Timer Tick
<b>Available documents</b>	: Data Book, Sample program code written by C
<b>Design file formats</b>	: EDIF File Format , VHDL/Verilog Code
<b>Verification</b>	: Verilog Testbench
<b>Simulation tool used</b>	: Model Technology ModelSim™ 6.4